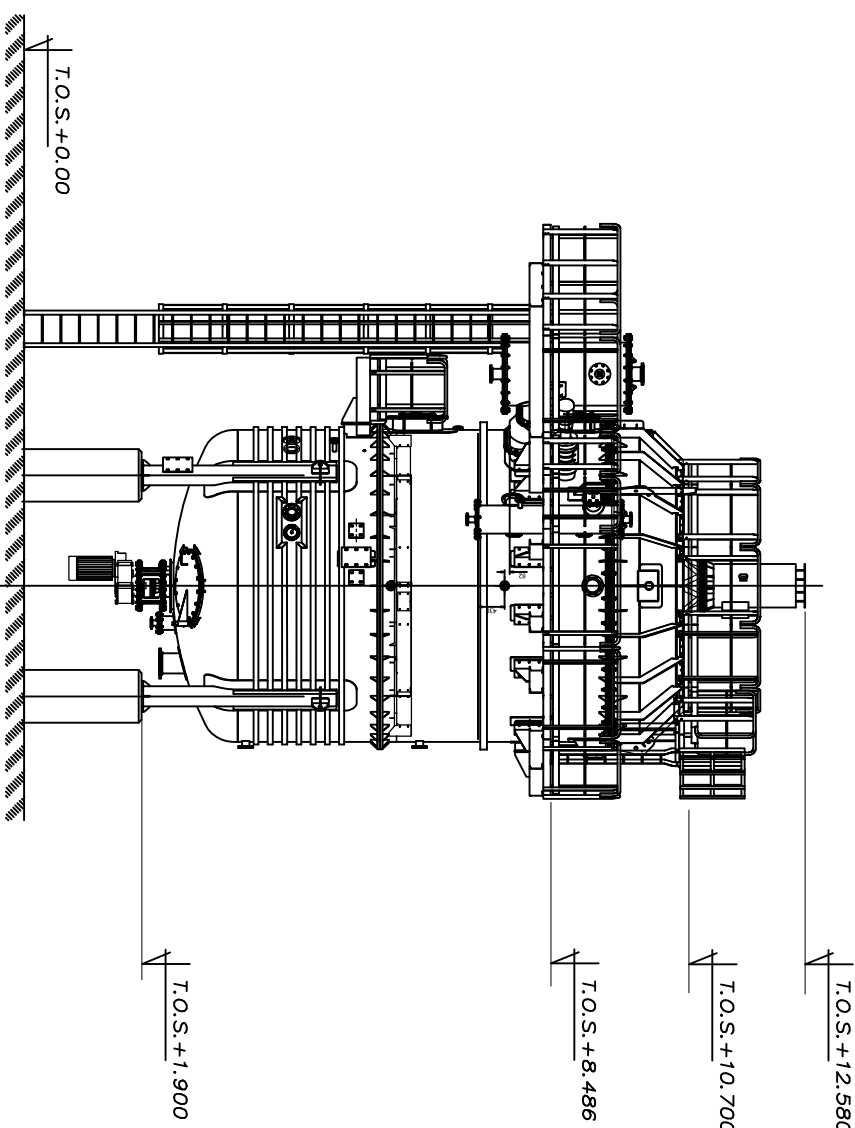
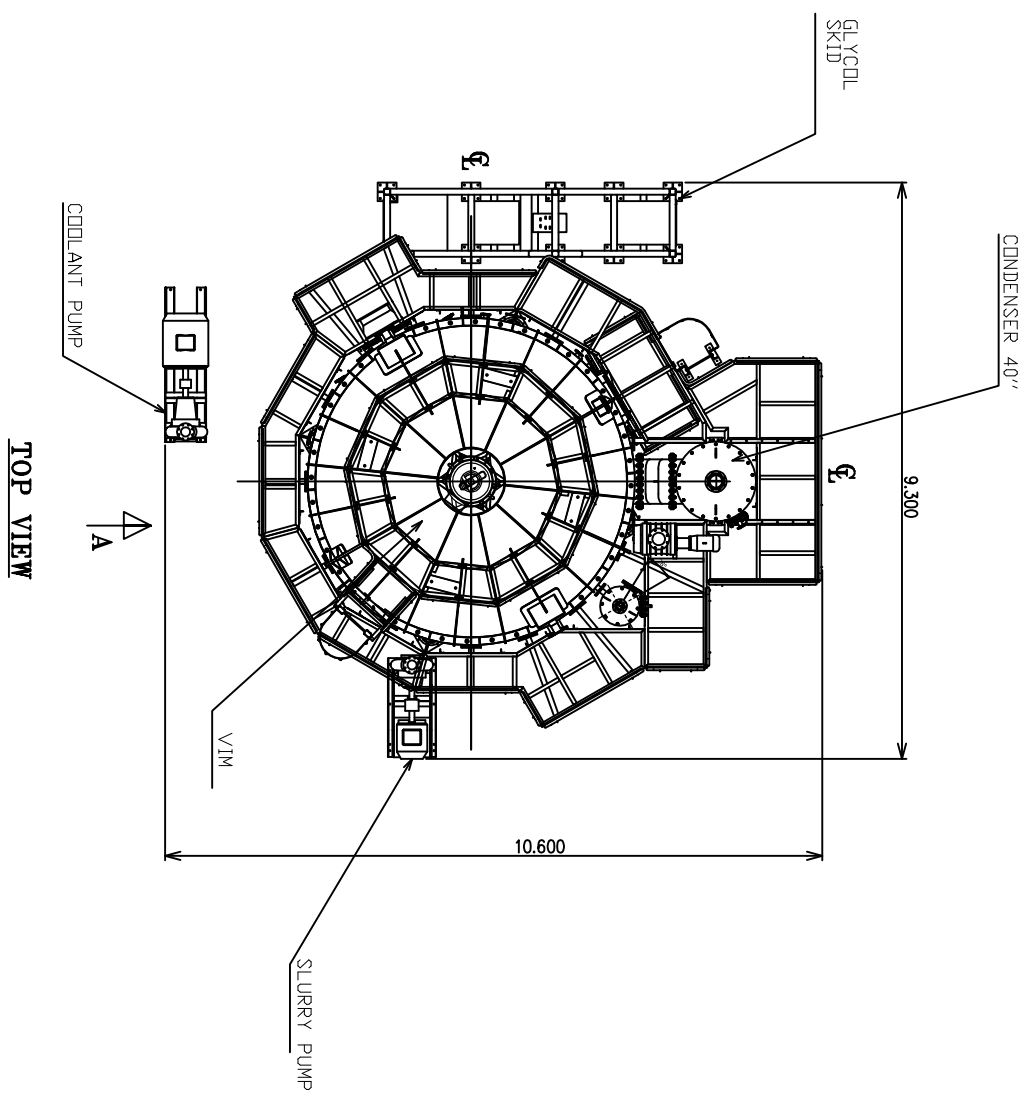


VIEW A



VIEW B



TOP VIEW

FOR INFORMATION ONLY

VIM

VIM	Total Weight [Tons]
At operation	73
Flooded	197

AUXILIARY EQUIPMENT

Equipment	Total weight [Tons]
Coolant pump	2.5
Slurry pump	1.6
Vacuum pump	0.7
Glycol skid	2

Note:  
Dimensions are given in Meters.

CONFIDENTIAL THIS DRAWING & INFORMATION IS THE PROPERTY OF IDE AND UNAUTHORIZED USE OR REPRODUCTION IS PROHIBITED

TITLE	VIM-850 TES	NAME	Y. Soberrano	DATE	03.02.10
	PLANT LAYOUT	DESIGNED	-	CHECKED	-
		APPROVED	T. Efraat		03.02.10
		DRG.No.	MKH-20344		
			SHEET 1/1		REV. 0

IDE technologies Ltd. P.O.B 5016, Hertaechet st, Kadima 60920 Israel  
TEL: 972(0)9892-9777, FAX: 972(0)9892-9715